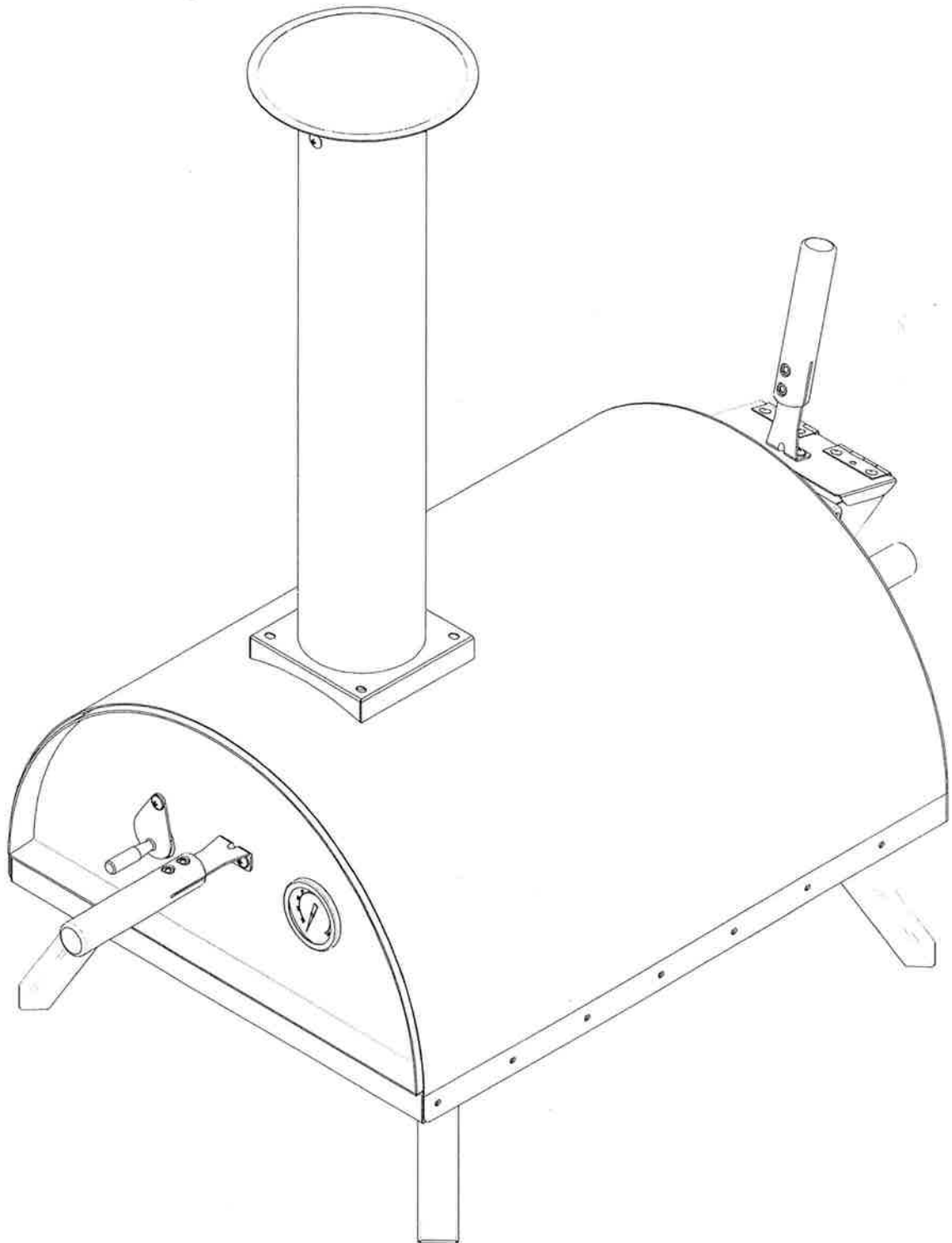
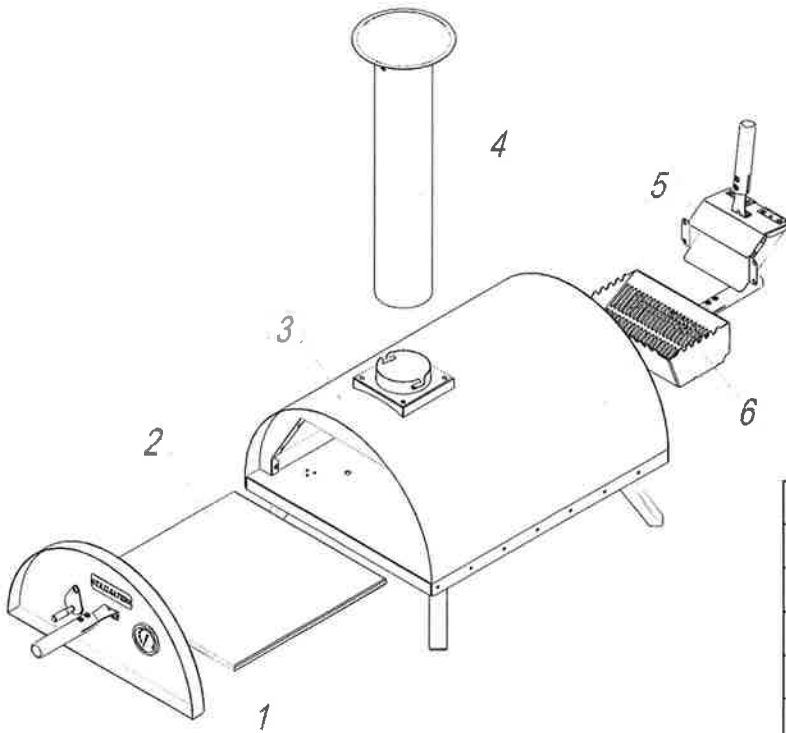


# DADA-001 Installation Manual

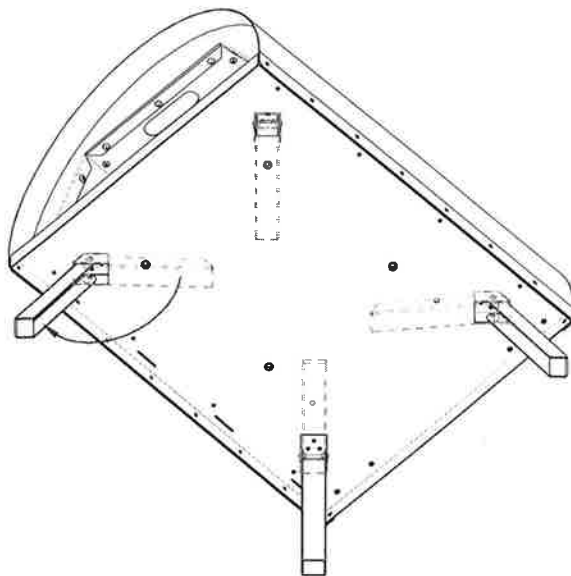


## 1. All parts of pizza oven



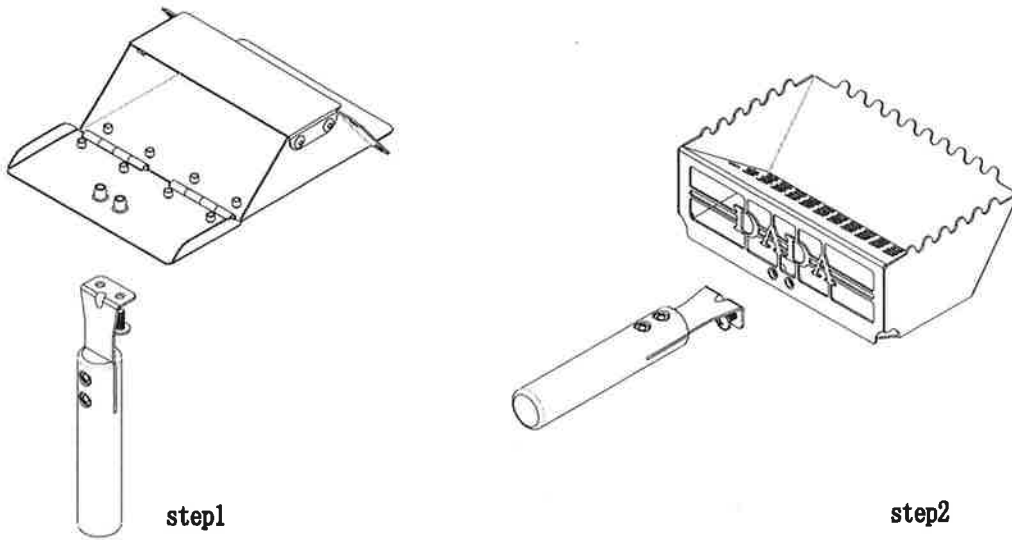
Number	Name	Q' TY
1	Door	1
2	Pizza stone	1
3	Oven body	1
4	Chimney	1
5	Feeder	1
6	Firebox	1

## 2. Installation of the Oven body



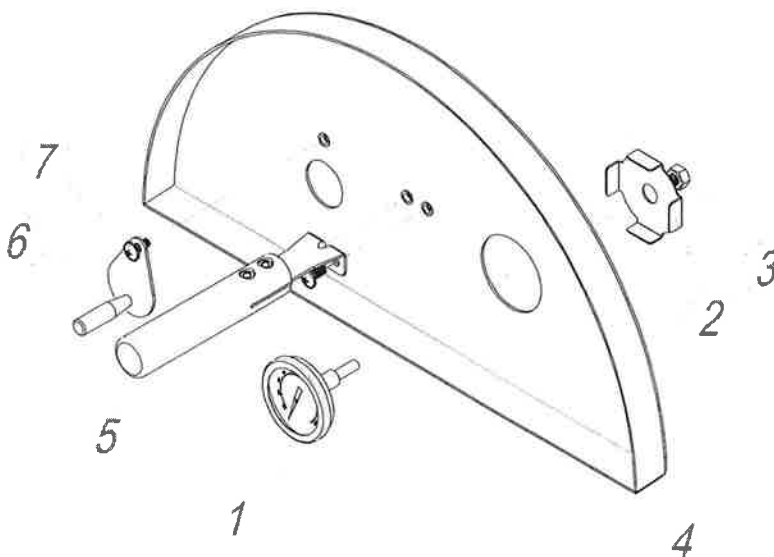
Step1. Open the legs in the direction of the arrow.

### 3. Installation of the feeder and firebox



- Step1. Use two M5(Stainless steel) screws to fix the handle to the feeder  
 Step2. Use two M5(Stainless steel) screws to fix the handle to the firebox

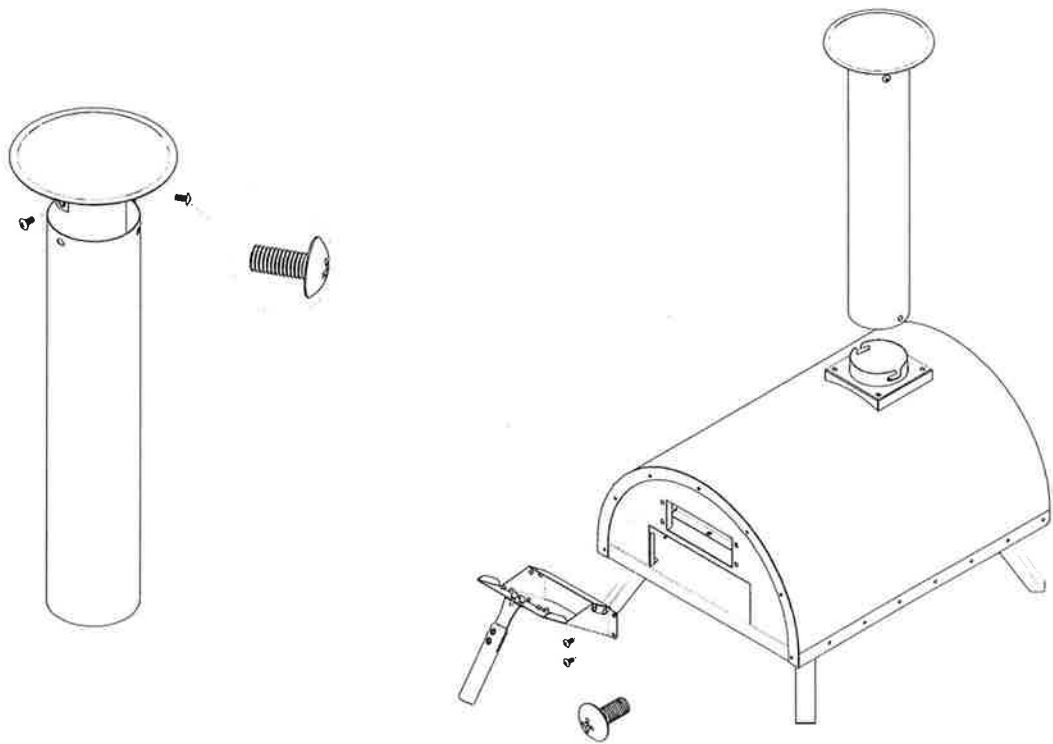
### 4. Installation of the door



Number	Name	Q' TY
1	Thermometer	1
2	Thermometer socket	1
3	M10 nut	1
4	Door	1
5	Handle	1
6	Peep door cover	1
7	M5 Bolt(Stainless steel)	3

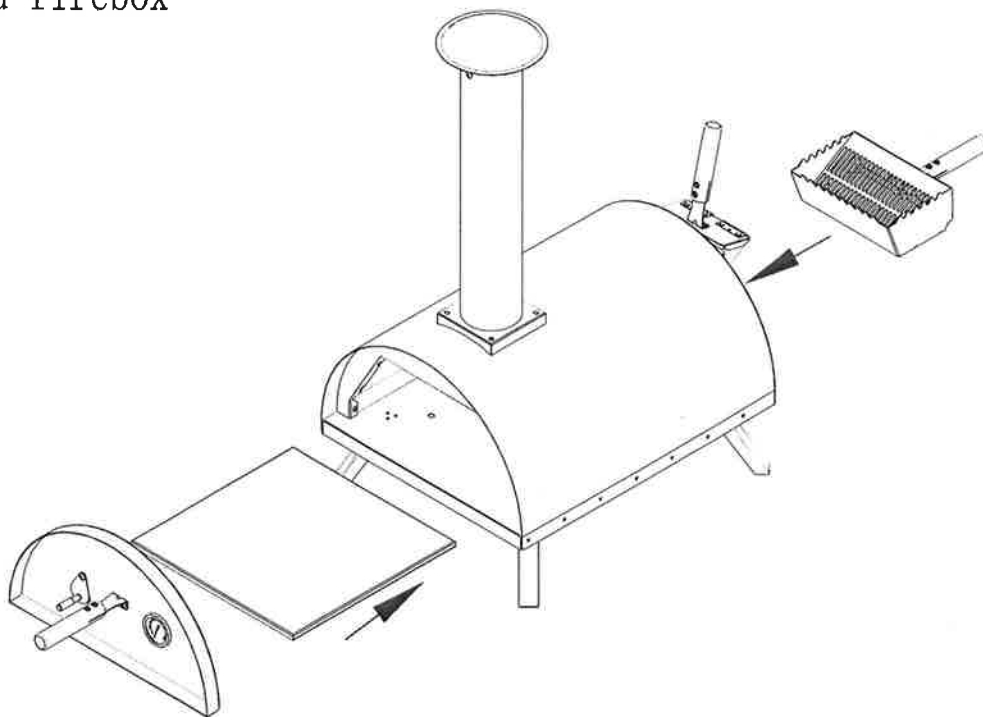
- Step1. Install the thermometer on the door according to the picture  
 Step2. Use two M5 screws to fix the handle to the door  
 Step3. fix the peep door cover to the door with one M5 screw

## 5. Installation of the chimney and feeder



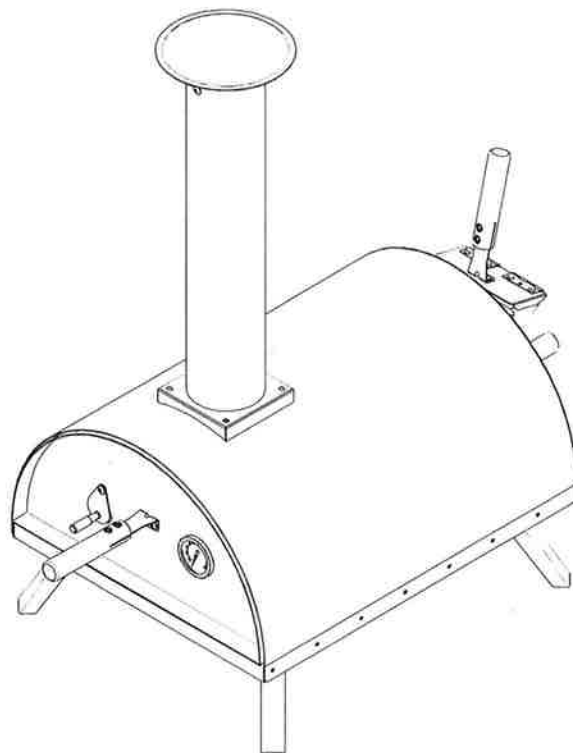
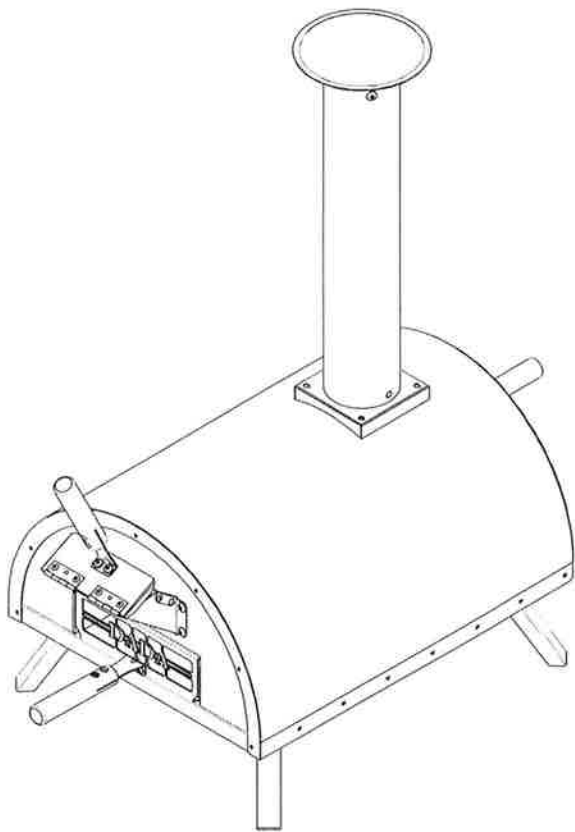
- Step1. Fix the chimney hat on the chimney with three M5 (black) screws
- Step2. Fix the feeder with four M5 (Stainless steel) screws to the backside
- Step3. Insert the chimney into the top base and rotate it

## 6. Installation of the pizza stone and door and firebox



- Step1. In the direction of the arrow, place the pizza stone inside the oven  
place the firebox to the backside of the oven.
- Step2. Close the door .

## 7. Final sketch



Now, your oven is ready for cooking. Enjoy your time!