

ALFA



MODERNO Portable

Data Sheets - Scheda Tecnica



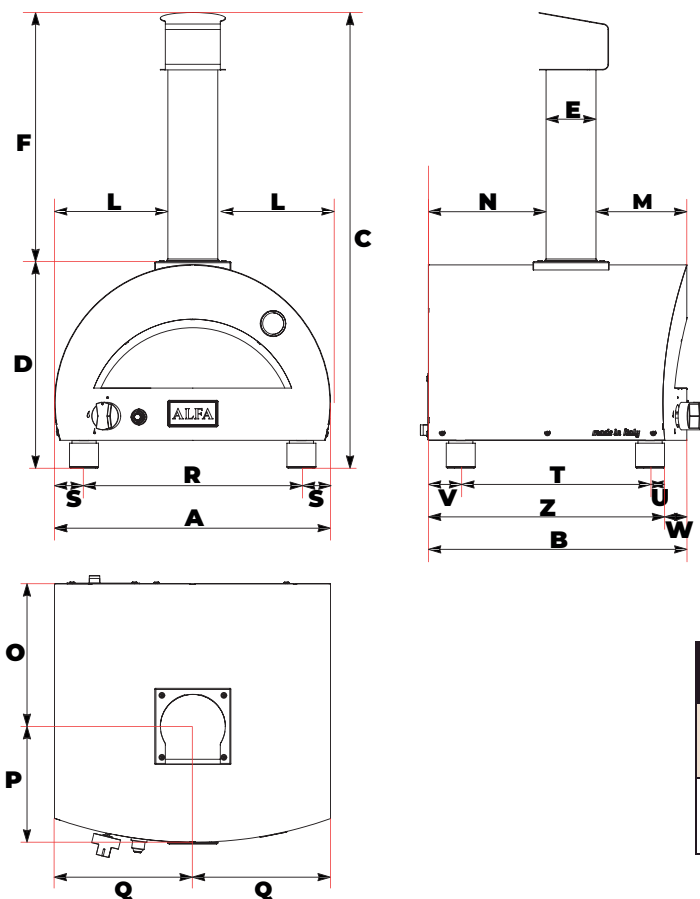
ANTIQUÉ RED
FXMD-PT-GROA

ARDESIA GREY
FXMD-PT-GGRA

Weight Peso	35 kg 77 lbs	Materials Materiali	Stainless Steel, iron sheet, Ceramic fiber Acciaio inox, lamiera ferro, Fibroceramica
Cooking floor Piano Cottura	40 x 40 cm 16 x 16 in	Type of refractory Tipo di refrattario	Alumina silicate HeatKeeper™ Firebrick Tavella HeatKeeper™ silico-alluminoso
Max oven temperature Temperatura massima	500°C 1000°F	Recommended fuel Combustibile consigliato	LPG gas (G30 / G31) Gas GPL (G30 / G31)
Heating time Minuti per scaldare	30'	Gas category Categoria gas	I3+ GPL
Pizza capacity Numero Pizze	1 Pizza Ø33cm	G30 / G31 operation Funzionamento a G30 / G31	28..30 / 37 mbar 11 in WC
Heat capacity Potenza nominale	7 kW	Max consumption Consumo Massimo	0.5 kg/h



made in Italy



A	55 cm 21.7 in	O	28.6 cm 11.2 in
B	51.7 cm 20.4 in	P	23.5 cm 9.3 in
C	91.2 cm 35.9 in	Q	27.7 cm 10.9 in
D	41.3 cm 16.3 in	R	43.5 cm 17.1 in
E	\varnothing 10 cm 3.9 in	S	5.8 cm 2.3 in
F	49.9 cm 19.6 in	T	37.9 cm 14.9 in
G	36.8 cm 14.5 in	U	2.7 cm 1.1 in
H	12 cm 4.7 in	V	6.9 cm 2.6 in
L	22.7 cm 8.9 in	W	4.5 cm 1.8 in
M	18.2 cm 7.2 in	Z	47.3 cm 18.6 in
N	23.6 cm 9.3 in		

PACKAGING DIMENSIONE IMBALLO			
Width Larghezza	Depth Profondità	Height Altezza	Weight Peso
55 cm 21.6 in	58 cm 22.8 in	38 cm 15 in	40 Kg 88 lbs

Description Descrizione	Code Codice
Chimney cap Comignolo	A CMG-2-015
Chimney Canna fumaria	B TI100-430-SAT
KIT GAS 24kW	C GAS-1-015
Side gas cover Carter laterale gas	D CRT-2-035
Gas knob Manopola gas	E D14MANO-MC55
Electric generator Generatore elettrico	F GENELP003IQ
Electrical cable Cavo elettrico	F D14CAVOTV-1000
Door Sportello	G SPT-1-013
Flange Flangia	H FLG-2-015
External shell Carter esterno	I CRT-1-019
Thermometer Termometro	J D14TERM-5070
Red bricks 40x20 cm Mattoni 40x20 cm	K RRA4020
Board	L BOARD 10
Feet (n.4) Piedini	M SETPIE-M10X25
Logo Alfa (v1.0)	N D14PLAC-ALFA

